

Microblasting Equipment

PEENMATIC 1500 SK / SDK



Standard equipment:

- Construction with tilting hood, automatically opened pneumatically up to an aperture angle of 90°, operation via two press buttons (two-hand control) on the control box, for an easy crane or stacker truck feeding. With integrated sight window, provided with a safety glass and an attrition-proof glass, in a quick-change frame
- Magnetic door interruption switch
- Impurity collecting drawer in the funnel, fitted with a sieve, in order to collect coarse particles removed by microblasting
- Working platform for the operator, swivelling, 1 step, with a platform height of 220 mm
- Working grate made of perforated plate, two-piece, detachable, diameter of holes 5 mm
- Padded sleeves and gloves, exchangeable
- Microblasting pistol unit, type EF 4, with hard metal blasting nozzle HSD 8/15, adjustable via pressure reducing valve, 0 - 8,5 bar, microblasting pressure reading on the manometer
- Holding device for microblasting pistol and blow-out pistol, firmly mounted on the tilting hood between the two handholes
- Microblasting agent pre-accelerating system with moving injector, adjustable via pressure reducing valve, 0 - 4 bar, pressure reading on the manometer
- Automatic, selective microblasting agent recycling system, type SHOT SEPARATOR
- Separately installed high surface microfilter unit, type IMF-2, ventilator electronically continuously adjustable, with automatic, electro-pneumatic filter cleaning, including integrated dust collector, moveable
- Blow-out pistol (air-blasting pistol)
- Foot actuated switch with impulse contact
- Compressed-air connection, 1/2" G, at equipment, including oil and water separator
- Separately placed control box, slewable, with separate arranged electric, electronic and pneumatic control systems as well as all the necessary operating and control elements
- Main switch, on / off
- Key-operated switch, on / off, with 2 keys
- Hour counter of microblasting time
- Illumination, 2 x 3 x 18 W

Accessories:

(on request)

- Rotary table unit, made of aluminium or steel, Ø 1'000 mm, manually rotatable or electronically continuously variable
- Enlargement of the handholes up to Ø 300 mm, for more freedom of motion
- Continuous drying system for microblasting agents, electronically continuously variable
- Second microblasting pistol unit

Sales / Development

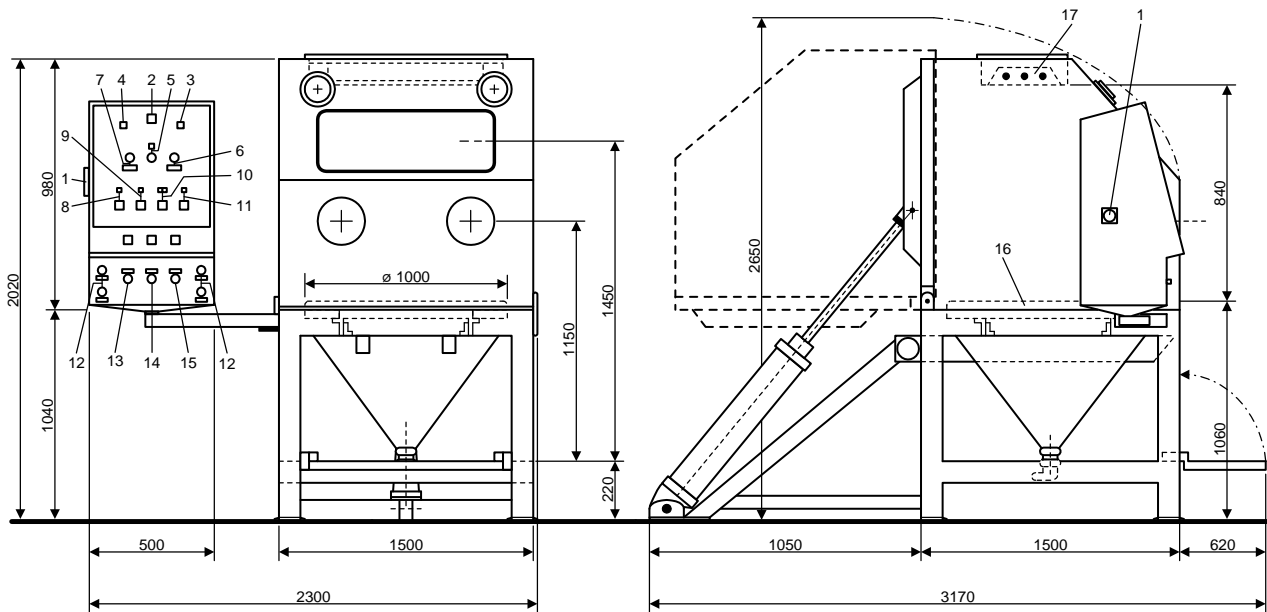
iepco ag
Hofstrasse 21
CH-8181 Höri
Phone +41 / (0)44 861 16 16
Fax +41 / (0)44 860 63 86
www.iepco.ch

Production Plant

iepco ag
Steiächerweg 10
CH-5316 Leuggern
Phone +41 / (0)56 268 80 40
Fax +41 / (0)56 268 80 50
info@iepco.ch

Technologies for
perfect surfaces

Microblasting Equipment PEENMATIC 1500 SK / SDK



Legend:

- | | |
|---|---|
| 1 Main switch | 11 Microfilter on / off, with signal lamp |
| 2 Hour counter of microblasting time | 12 Control switches tilting hood (two-hand control) |
| 3 Malfunction microfilter | 13 Pressure control for tilting hood, with manometer |
| 4 Microfilter rotary drive | 14 Pressure regulator microblasting pistol(s), with manometer |
| 5 Potentiometer drying system for microblasting agents, with signal lamp | 15 Pressure regulator moving injector, with manometer |
| 6 Speed regulator for microfilter unit | 16 Built-in rotary table unit, Ø 1'000 mm |
| 7 Speed regulator for rotary table unit | 17 Illumination, 2 x 3 x 18 Watt |
| 8 Control on / off, with signal lamp | |
| 9 Illumination on / off, with signal lamp | |
| 10 Selector switch microblasting pistol left / microblasting pistol right, with signal lamp | |
- (Pos. 4, pos. 5, pos. 7, pos. 10 and pos. 16 only on request as an optional accessory)

Usable space:

Width 1'300 x depth 1'300 x height 840 mm.
Optimal for surface treatment of workpieces with dimensions of width 1'250 x depth 1'250 x height 400 mm

Operating voltage:

3 x 400 V / 230 V + N + PE / 50/60 Hz

Power consumption:

< 1,50 kW, including microfilter unit

Control safety:

6,3 AT

Compressed air connection:

On the side of the building 3/4" G
On the side of the equipment 1/2" G
Pressure 0 - 10 bar

Sound level:

68 dB(A) without microblasting
75 dB(A) with microblasting at 3 bar

Weight:

750 kg

All data are given without liability on our part. We reserve the right to modify constructional design at any time.

Sales / Development

iepcO ag
Hofstrasse 21
CH-8181 Höri
Phone +41 / (0)44 861 16 16
Fax +41 / (0)44 860 63 86
www.iepcO.ch

Production Plant

iepcO ag
Steiächerweg 10
CH-5316 Leuggern
Phone +41 / (0)56 268 80 40
Fax +41 / (0)56 268 80 50
info@iepcO.ch